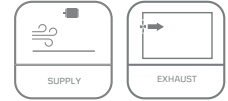


K-OCES Double Inlet Centrifugal Fan



K-OCES fans are used for suction and discharge in Cabinet, Ventilation units, Central Air-conditioner units, etc. Each fans are suit its mechanical design according to maximum operating limits.

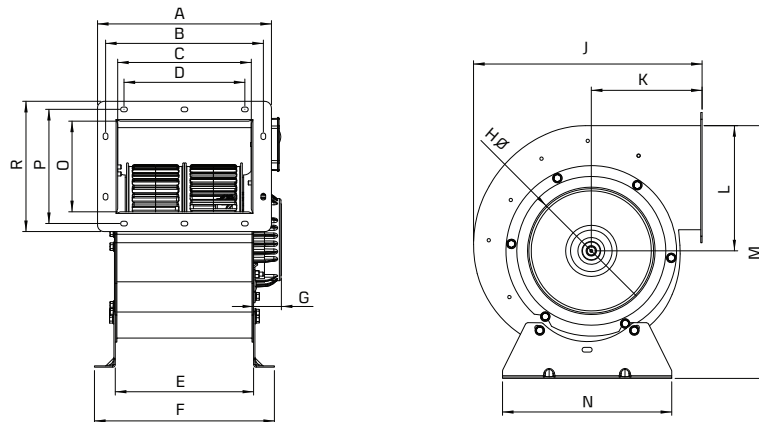


MOTOR INSULATION CLASS	B CLASS
MOTOR PROTECTION CLASS	IP 44
MOTOR EFFICIENCY CLASS	IE1-IE2
MOTOR ENCLOSURE TYPE	TEFC
MOTOR BRAND	KALVENT
BODY MATERIAL	SHEET METAL
BODY COATING	ELECTROSTATIC POWDER PAINT
IMPELLER MATERIAL	GALVANIZED SHEET METAL
DUTY CYCLE	IEC Duty Cycle-S1
WORKING AMBIENT TEMPERATURE	-20 +50 °C
DIRECTIVE	IEC-60335-2-80, ISO 1940-1

MODEL	VOLTAGE (V)	FREQUENCY (Hz)	POWER (W)	REVOLUTION (rpm)	FLOW RATE (m³/h)	NOISE LEVEL (dB(A))	PRICE
K-OCES	230	50	400	1,250	2,200	45	

Values are for 0 Pa.

DRAWING



MODEL	A (mm)	B (mm)	C (mm)	D (mm)	E (mm)	F (mm)	G (mm)	H (mm)	J (mm)	K (mm)	L (mm)	M (mm)	N (mm)	O (mm)	P (mm)	R (mm)
K-OCES	258	234	197	180	210	269	41	190	339	160	189	396	252	133	169	194

PERFORMANCE CURVES

K-OCES

